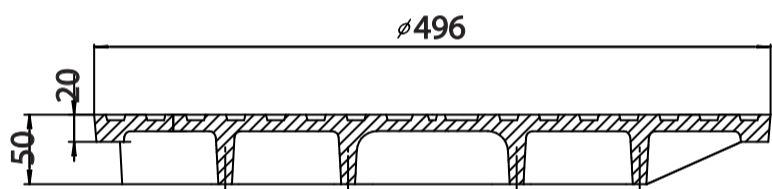
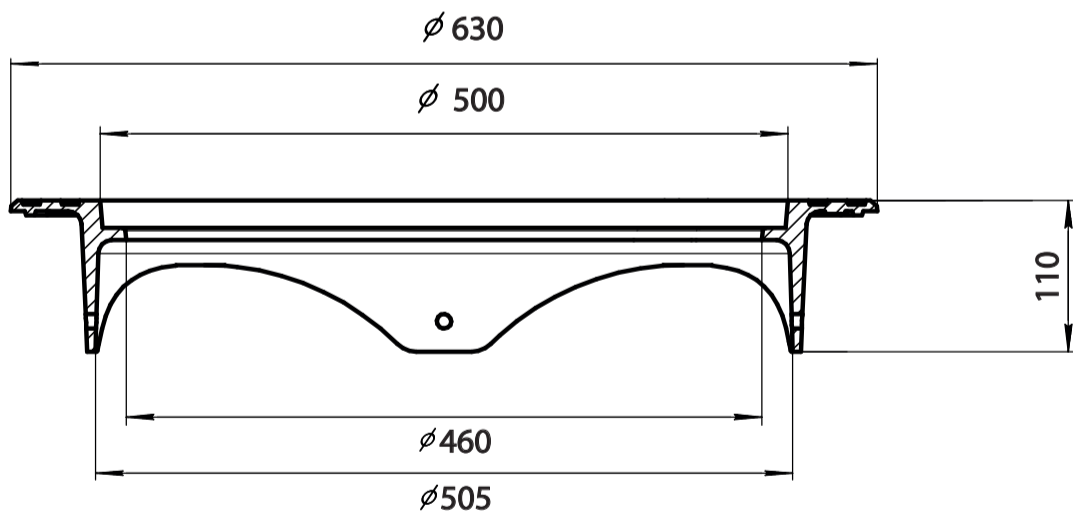




Cover art. 500M D400



Frame art. 500Fn D400



Standard	EN124 : 1994
EN 124 Class	D400
Place of installation	Carriageways of roads
Material	Ductile Cast Iron
Packing	Wooden Pallets
Quantity per Pallet	18-36 sets